



全漢企業股份有限公司

SPI Electronic Co., Ltd.

台灣桃園市建國東路 22 號
TEL : 886-3-375-9888
<http://www.fsp-group.com.tw>

No. 22, Jianguo E. Rd., Taoyuan City,
Taiwan, R.O.C.
FAX : 886-3-375-6966
Email:sales@mail.fsp-group.com.tw

MECHANICAL DRAWING



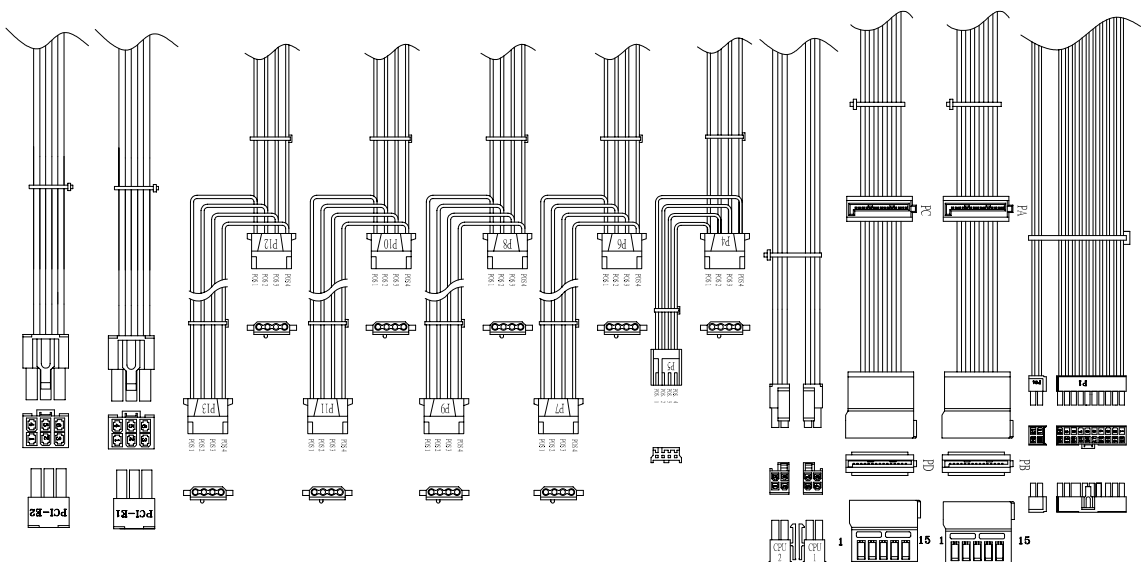
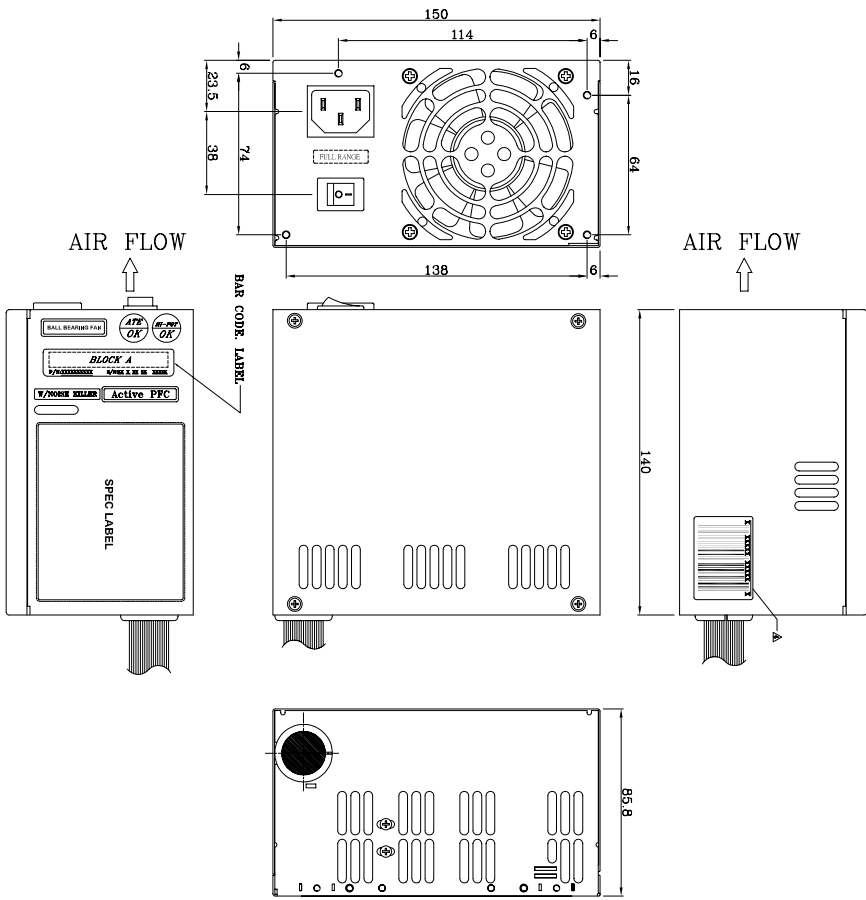
OAD06037723

FSP600-80GLC(F06001)

Released Date:2006/12/21-21:15:35

REF. ID.	PIN NO.	SIGNAL	WIRE COLOR	GAWGE	CONNECTOR TYPE	CABLE LENGTH
P1	1	+3.3VDC	ORANGE	18	MOLEX CI1271H80 530±20mm or BQUV.	500±15mm
	2	+3.3VDC	ORANGE	18		
	3	COM	BLACK	18		
	4	+5VDC	RED	18		
	5	COM	BLACK	18		
	6	+5VDC	RED	18		
	7	COM	BLACK	18		
	8	PW-ON	GRAY	24		
	9	+5Vsb	PURPLE	20		
	10	+12V4	YEL/BLK	18		
	11	+12V4	YEL/BLK	18		
	12	+3.3VDC	ORANGE	18		
	13	+3.3VDC	ORANGE	18		
	14	+3VSENSE	BROWN	24		
	15	-12VDC	BLUE	24		
	16	COM	BLACK	18		
	17	PS-ON	GREEN	24		
	18	COM	BLACK	18		
	19	COM	BLACK	18		
	20	COM	BLACK	18		
	21	+5VDC	RED	18		
	22	+5VDC	RED	18		
	23	+5VDC	RED	18		
	24	COM	BLACK	18		
PA	1	+3.3V	ORANGE	20	MOLEX 530±20mm or BQUV.	
	2	COM	BLACK	20		
	3	+5V	RED	20		
	4	COM	BLACK	20		
PC	1	+12V3	YELLOW	20	MOLEX 200±10mm or BQUV.	
	2	COM	BLACK	20		
	3	+3.3V	ORANGE	20		
	4	COM	BLACK	20		
	5	+5V	RED	20		
PB	1	+12V3	YELLOW	20	MOLEX 500±15mm or BQUV.	
	2	COM	BLACK	20		
	3	+3.3V	ORANGE	20		
	4	COM	BLACK	20		
	5	+5V	RED	20		
CPU1/	1	COM	BLACK	18	MOLEX P4-14200838 + P4-14200838 or BQUV.	
	2	COM	BLACK	18		
	3	COM	BLACK	18		
	4	COM	BLACK	18		
	5	+12V1	YEL/BLUR	16		
	6	+12V1	YEL/BLUR	16		
	7	+12V2	YEL/GREEN	16		
	8	+12V2	YEL/GREEN	16		
P4	1	+12V3	YELLOW	20	MOLEX 1-480424-0 530±20mm or BQUV.	
	2	COM	BLACK	20		
	3	COM	BLACK	20		
	4	+5V	RED	20		
P6	1	+12V3	YELLOW	20	MOLEX 1-480424-0 530±20mm or BQUV.	
	2	COM	BLACK	20		
	3	COM	BLACK	20		
	4	+5V	RED	20		
P8	1	+12V3	YELLOW	20	MOLEX 1-480424-0 530±20mm or BQUV.	
	2	COM	BLACK	20		
	3	COM	BLACK	20		
	4	+5V	RED	20		
P10	1	+12V3	YELLOW	20	MOLEX 1-480424-0 530±20mm or BQUV.	
	2	COM	BLACK	20		
	3	COM	BLACK	20		
	4	+5V	RED	20		
P12	1	+12V3	YELLOW	20	MOLEX 1-480424-0 530±20mm or BQUV.	
	2	COM	BLACK	20		
	3	COM	BLACK	20		
	4	+5V	RED	20		
P7	1	+12V3	YELLOW	20	MOLEX 1-480424-0 530±20mm or BQUV.	
	2	COM	BLACK	20		
	3	COM	BLACK	20		
	4	+5V	RED	20		
P9	1	+12V3	YELLOW	20	MOLEX 1-480424-0 530±20mm or BQUV.	
	2	COM	BLACK	20		
	3	COM	BLACK	20		
	4	+5V	RED	20		
P11	1	+12V3	YELLOW	20	MOLEX 1-480424-0 530±20mm or BQUV.	
	2	COM	BLACK	20		
	3	COM	BLACK	20		
	4	+5V	RED	20		
P13	1	+12V3	YELLOW	20	MOLEX 1-480424-0 530±20mm or BQUV.	
	2	COM	BLACK	20		
	3	COM	BLACK	20		
	4	+5V	RED	20		
P5	1	+12V3	YELLOW	18	MOLEX 171822-4 185±10mm or BQUV.	
	2	COM	BLACK	20		
	3	COM	BLACK	20		
	4	+12V3	YELLOW	18		
PCI	1	+12V3	YELLOW	18	MOLEX C4202H00-2 530±10mm or BQUV.	
	2	+12V3	YELLOW	18		
	3	+12V3	YELLOW	18		
	4	COM	BLACK	18		
	5	COM	BLACK	18		
-E1	1	COM	BLACK	18	MOLEX 530±10mm or BQUV.	
	2	COM	BLACK	18		
	3	COM	BLACK	18		
	4	COM	BLACK	18		
	5	COM	BLACK	18		
PCI	1	+12V2	YEL/GREEN	18	MOLEX C4202H00-2 530±10mm or BQUV.	
	2	+12V2	YEL/GREEN	18		
	3	+12V2	YEL/GREEN	18		
	4	COM	BLACK	18		
	5	COM	BLACK	18		
-E2	1	COM	BLACK	18	MOLEX 530±10mm or BQUV.	
	2	COM	BLACK	18		
	3	COM	BLACK	18		
	4	COM	BLACK	18		
	5	COM	BLACK	18		

UNIT:mm



NOTE:

1. ALL THE LENGTH OF OUTPUT WIRES EXCLUDE HOUSING.
2. 產地標籤依業務指示加貼.

MODEL NO. : FSP600-80G1C(F06001)	TITLE: ASSY	SHEET: 1 OF 1	REV:04
R&D(8)	PE	CHECKED	DESIGN
INTERIOR COUNTERSIGN:			DATE
			DEC.19.2006
			高湘琳

P/N.:9PA6000109